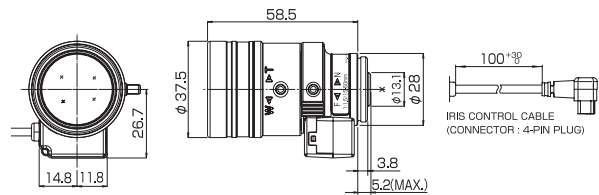
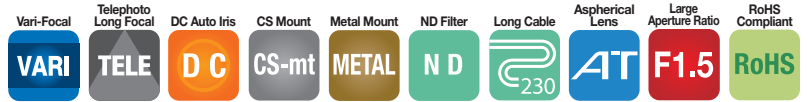


HD Vari-Focal (15-50mm)

YV3.3x15SA-SA2

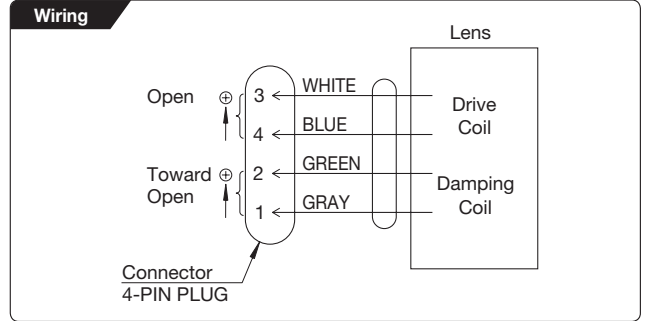
3.3x Applicable camera (model) 1 2/3 1/2 1/3 1/4 For Security



Unit : mm

YV3.3x15SA-SA2

Focal Length (mm)		15 - 50 (3.3x)	
Iris Range		F1.5 - T360(Equivalent to F360)	
Operation	Zoom	Manual	
	Focus	Manual	
	Iris	Auto (DC type) ^{*1}	
Angle Of View (HxV)	1/3"	WIDE	18°08' × 13°34'
		TELE	5°35' × 4°12'
	1/4"	WIDE	13°34' × 10°10'
		TELE	4°12' × 3°10'
Angle Of View (HxV) Aspect Ratio 16 : 9	1/3"	WIDE	19°46' × 11°40'
		TELE	6°04' × 3°26'
	1/4"	WIDE	14°47' × 8°18'
		TELE	4°34' × 2°35'
Focusing Range (From Front Of The Lens) (m)		∞ - 0.8	
Object Dimensions at M.O.D. (HxV) (mm)	1/3"	WIDE	271 × 202
		TELE	87 × 66
	1/4"	WIDE	202 × 151
		TELE	66 × 49
Object Dimensions at M.O.D.(HxV) (mm) Aspect Ratio 16 : 9	1/3"	WIDE	296 × 165
		TELE	95 × 54
	1/4"	WIDE	220 × 123
		TELE	72 × 40
Back Focal Distance (in air) (mm)		MIN.7.7	
Exit Pupil Position (From Image Plane) (mm)		-36	
Filter Thread (mm)		-	
Mount		CS	
Mass (g)		60	
Coil Resistance		Drive Coil	190Ω
		Damping Coil	500Ω
Current Consumption		23mA(Max.) at DC 4V	
Remarks	•With Metal Mount (*1) When power is turned off, iris will automatically close. YV3.3x15SA-SA2L : Long Cable Type(230mm)		



[Lens Image]

