

FUJINON CCTV LENS HD Zoom (320mm)

D32x10HR4D-V41

32x Applicable camera (model) 1 2/3 1/2 1/3 1/4 For Surveillance

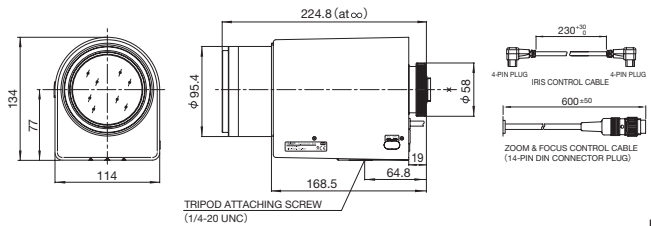


* Photograph is a similar model.

HD
1.3MP
Day
Night

Zoom Motor Drive Telephoto Long Focal Wide Angle Video Auto Iris Iris-Remote C Mount Metal Mount Potentiometer ND Filter
ZOOM **MOTOR DRIVE** **TELE** **WIDE** **VIDEO** **IRIS-REMOTE** **C-mt** **METAL** **PRESET** **N D**

RoHS Compliant
RoHS



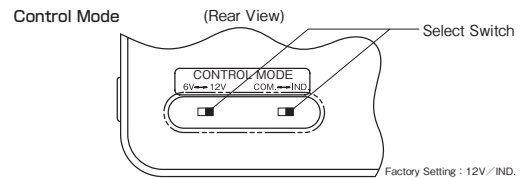
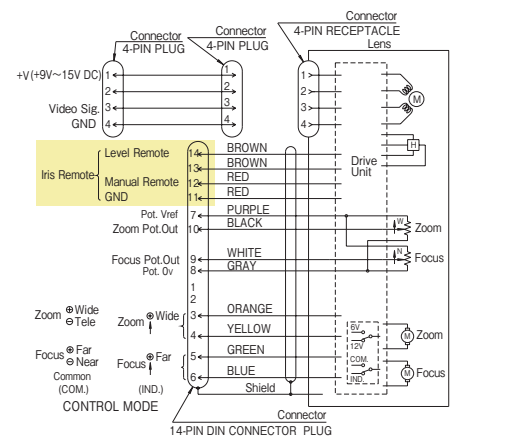
TRIPOD ATTACHING SCREW (1/4-20 UNC)

Unit : mm

D32x10HR4D-V41

Focal Length (mm)		10 - 320(32x)	
Iris Range		F2.5 - T1500(Equivalent to F1500)	
Operation	Zoom	Motor Drive	
	Focus	Motor Drive	
	Iris	Auto(Video Type), or Remote* ¹	
Angle Of View (HxV)	1/2"	WIDE	35°29' × 26°59'
		TELE	1°09' × 0°52'
	1/3"	WIDE	26°59' × 20°24'
		TELE	0°52' × 0°39'
	1/4"	WIDE	20°24' × 15°23'
		TELE	0°39' × 0°29'
Focusing Range (From Front Of The Lens) (m)		∞ - 3	
Object Dimensions at M.O.D. (HxV) (mm)	1/2"	WIDE	1746 × 1310
		TELE	57 × 43
	1/3"	WIDE	1310 × 982
		TELE	43 × 32
	1/4"	WIDE	982 × 737
		TELE	32 × 24
Back Focal Distance (in air) (mm)		22.70	
Exit Pupil Position (From Image Plane) (mm)		-53	
Filter Thread (mm)		M82 × 0.75	
Mount		C	
Mass (kg)		2.5	
Standard Accessories		Iris Control Cable Connection Connector (14-pin)	
Remarks		<ul style="list-style-type: none"> •With Metal Mount (*1) The iris automatically closes when the camera is turned off. 	

Wiring



Controller Output	Select Switch Position
6V	6V / IND.
±6V	6V / COM.
12V	12V / IND.
±12V	12V / COM.

Accessories

Extender

Model	Magnification
HE15-1	1.5x
HE20-1	2x