

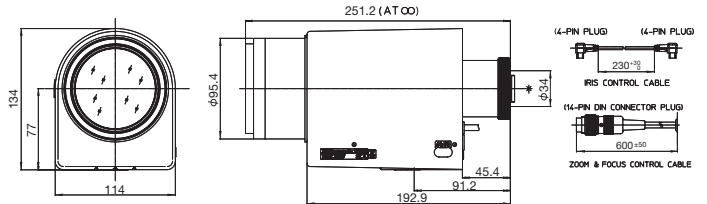
FUJINON CCTV LENS HD Zoom (500mm)

D32x15.6HR4D-V41

32x Applicable camera (model) 1 2/3 1/2 1/3 1/4 For Surveillance



* Photograph is a similar model.

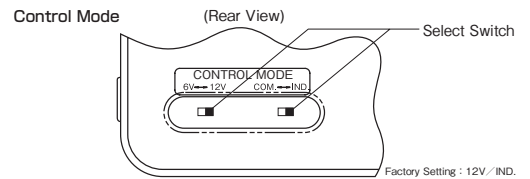
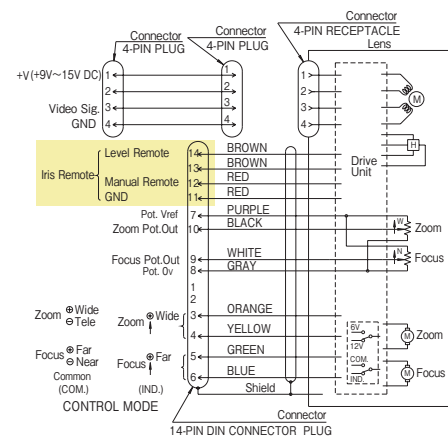


Unit : mm

D32x15.6HR4D-V41

| | | | |
|---|-------|--|-----------------|
| Focal Length (mm) | | 15.6 - 500(32x) | |
| Iris Range | | F3.9 - T1500(Equivalent to F1500) | |
| Operation | Zoom | Motor Drive | |
| | Focus | Motor Drive | |
| | Iris | Auto(Video Type), or Remote*1 | |
| Angle Of View (HxV) | 1/2" | WIDE | 23°11' × 17°30' |
| | | TELE | 0°44' × 0°33' |
| | 1/3" | WIDE | 17°30' × 13°10' |
| | | TELE | 0°33' × 0°25' |
| | 1/4" | WIDE | 13°10' × 9°54' |
| | | TELE | 0°25' × 0°19' |
| Focusing Range (From Front Of The Lens) (m) | | ∞ - 3 | |
| Object Dimensions at M.O.D. (HxV) (mm) | 1/2" | WIDE | 1152 × 864 |
| | | TELE | 37 × 28 |
| | 1/3" | WIDE | 864 × 648 |
| | | TELE | 28 × 21 |
| | 1/4" | WIDE | 648 × 486 |
| | | TELE | 21 × 16 |
| Back Focal Distance (in air) (mm) | | 44.92 | |
| Exit Pupil Position (From Image Plane) (mm) | | -75 | |
| Filter Thread (mm) | | M82 × 0.75 | |
| Mount | | C | |
| Mass (kg) | | 2.7 | |
| Standard Accessories | | Iris Control Cable Connection Connector (14-pin) | |
| Remarks | | <ul style="list-style-type: none"> •With Metal Mount (*1) The iris automatically closes when the camera is turned off. | |

Wiring



| Controller Output | Select Switch Position |
|-------------------|------------------------|
| 6V | 6V / IND. |
| ±6V | 6V / COM. |
| 12V | 12V / IND. |
| ±12V | 12V / COM. |

Accessories

Extender

| Model | Magnification |
|--------|---------------|
| HE15-1 | 1.5x |
| HE20-1 | 2x |