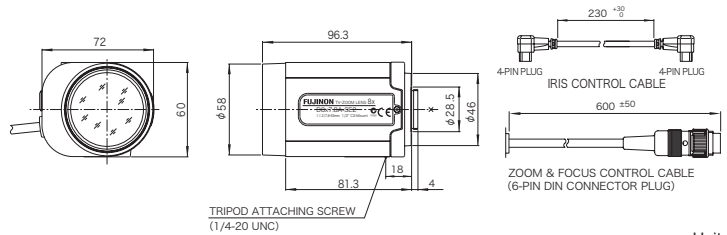


### D8x7.8HA-SE2

8x Applicable camera (model) 1 2/3 1/2 1/3 1/4 For Security

**HD**  
1.3MP

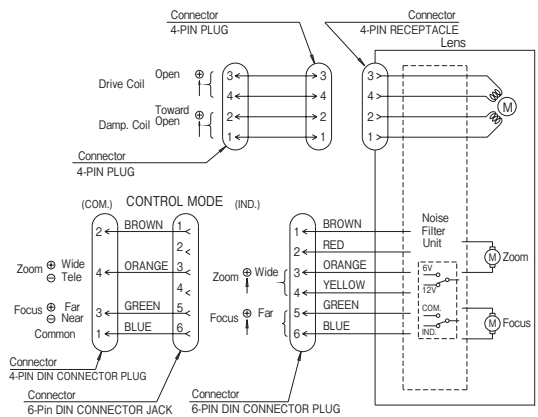


Unit : mm

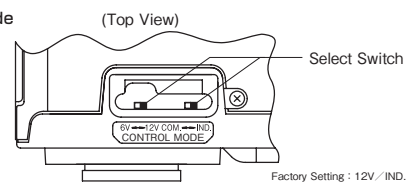
### D8x7.8HA-SE2

Focal Length (mm)		7.8 - 63(8x)	
Iris Range		F1.2 - T400(Equivalent to F400)	
Operation	Zoom	Motor Drive	
	Focus	Motor Drive	
	Iris	Auto (DC type)*1	
Angle Of View (HxV)	1/2"	WIDE	44°37' × 34°12'
		TELE	5°49' × 4°22'
	1/3"	WIDE	34°12' × 25°59'
		TELE	4°22' × 3°16'
	1/4"	WIDE	25°59' × 19°38'
		TELE	3°16' × 2°27'
Focusing Range (From Front Of The Lens) (m)		∞ - 1.2	
Object Dimensions at M.O.D. (HxV) (mm)	1/2"	WIDE	944 × 708
		TELE	117 × 88
	1/3"	WIDE	708 × 531
		TELE	88 × 66
	1/4"	WIDE	531 × 398
		TELE	66 × 49
Back Focal Distance (in air) (mm)		14.00	
Exit Pupil Position (From Image Plane) (mm)		-55	
Filter Thread (mm)		M55 × 0.75	
Mount		CS	
Mass (g)		400	
Coil Resistance		Drive Coil	200Ω
		Damping Coil	700Ω
Current Consumption		22mA(Max.) at DC 4V	
Standard Accessories		Iris Control Cable Conversion Cable (6-pin→4-pin) Connection Connector (4-pin, 6-pin)	
Remarks		•With Metal Mount (*1) The iris automatically closes when the camera is turned off.	

### Wiring



### Control Mode



Controller Output	Select Switch Position	Conversion Cable (Standard Accessory)
6V	6V / IND.	Not necessary
±6V	6V / COM.	Necessary
12V	12V / IND.	Not necessary
±12V	12V / COM.	Necessary

### Accessories

#### Close-up Lens

Product Name			CL3355 (M55x0.75mm fc=333mm)	CL10055 (M55x0.75mm fc=1000mm)
Imaging Area(mm)			333 - 261	1000 - 545
Object Dimensions (mm)	1/2"	WIDE	205 × 153	428 × 321
		TELE	25 × 19	53 × 40
	1/3"	WIDE	153 × 115	321 × 241
		TELE	19 × 14	40 × 30
	1/4"	WIDE	115 × 86	241 × 181
		TELE	14 × 11	30 × 22