

HD Zoom (63mm)

D8x7.8HA-V42

8x Applicable camera (model) 1 2/3 1/2 1/3 1/4 For Security

HD
1.3MP

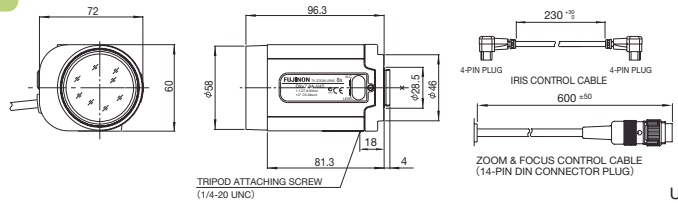


* Photograph is a similar model.

Zoom Motor Drive Wide Angle Video Auto Iris Iris-Remote CS Mount Metal Mount Potentiometer ND Filter Large Aperture Ratio

ZOOM **MOTOR DRIVE** **WIDE** **VIDEO** **IRIS-REMOTE** **CS-mt** **METAL** **PRESET** **ND** **F1.2**

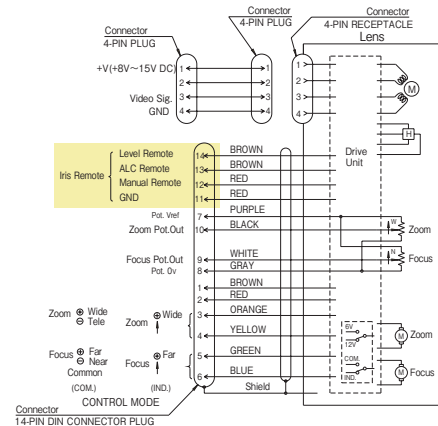
RoHS Compliant **RoHS**



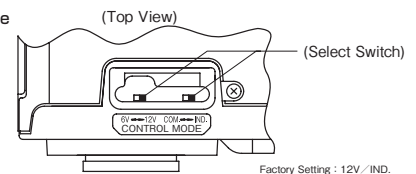
D8x7.8HA-V42

Focal Length (mm)		7.8 - 63(8x)	
Iris Range		F1.2 - T400(Equivalent to F400)	
Operation	Zoom	Motor Drive	
	Focus	Motor Drive	
	Iris	Auto(Video Type)or Remote*1	
Angle Of View (HxV)	1/2"	WIDE	44°37' × 34°12'
		TELE	5°49' × 4°22'
	1/3"	WIDE	34°12' × 25°59'
		TELE	4°22' × 3°16'
	1/4"	WIDE	25°59' × 19°38'
		TELE	3°16' × 2°27'
Focusing Range (From Front Of The Lens) (m)		∞ - 1.2	
Object Dimensions at M.O.D. (HxV) (mm)	1/2"	WIDE	944 × 708
		TELE	117 × 88
	1/3"	WIDE	708 × 531
		TELE	88 × 66
	1/4"	WIDE	531 × 398
		TELE	66 × 49
Back Focal Distance (in air) (mm)		14.00	
Exit Pupil Position (From Image Plane) (mm)		-55	
Filter Thread (mm)		M55 × 0.75	
Mount		CS	
Mass (g)		400	
Standard Accessories		Iris Control Cable Connection Connector (14-pin)	
Remarks		•With Metal Mount (*1) The iris automatically closes when the camera is turned off.	

Wiring



Control Mode



Controller Output	Select Switch Position
6V	6V / IND.
±6V	6V / COM.
12V	12V / IND.
±12V	12V / COM.

Accessories

Close-up Lens

Product Name		CL3355 (M55x0.75mm fc=333mm)	CL10055 (M55x0.75mm fc=1000mm)
Imaging Area(mm)		333 - 261	1000 - 545
Object Dimensions (mm)	1/2"	WIDE	205 × 153
		TELE	25 × 19
	1/3"	WIDE	153 × 115
		TELE	19 × 14
	1/4"	WIDE	115 × 86
		TELE	14 × 11