

Zoom (374mm)

C22x17A-M41

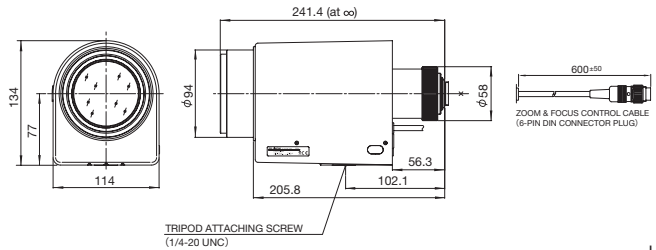
22x Applicable camera (model) **1 2/3 1/2 1/3 1/4** **For Surveillance**



* Photograph is a similar model.

Zoom Motor Drive Telephoto Long Focal Wide Angle Remote Iris C Mount Metal Mount RoHS Compliant

ZOOM **MOTOR DRIVE** **TELE** **WIDE** **REMOTE** **C-mt** **METAL** **RoHS**

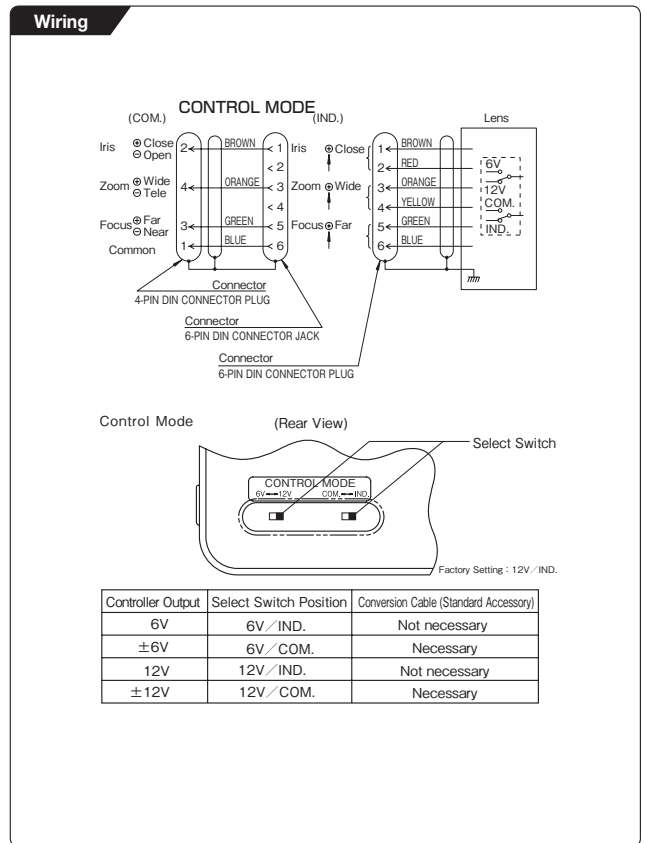


Unit : mm

C22x17A-M41

| | | | |
|---|-------|---|-----------------|
| Focal Length (mm) | | 17 - 374(22x) | |
| Iris Range | | F2.3 - F22 • Close | |
| Operation | Zoom | Motor Drive | |
| | Focus | Motor Drive | |
| | Iris | Motor Drive | |
| Angle Of View (HxV) | 1" | WIDE | 41°16' × 31°32' |
| | | TELE | 1°58' × 1°28' |
| | 2/3" | WIDE | 29°01' × 21°58' |
| | | TELE | 1°21' × 1°01' |
| | 1/2" | WIDE | 21°19' × 16°04' |
| | | TELE | 0°59' × 0°44' |
| | 1/3" | WIDE | 16°04' × 12°05' |
| | | TELE | 0°44' × 0°33' |
| Focusing Range (From Front Of The Lens) (m) | | ∞ - 3 | |
| Object Dimensions at M.O.D. (HxV) (mm) | 1" | WIDE | 2178 × 1633 |
| | | TELE | 99 × 74 |
| | 2/3" | WIDE | 1497 × 1123 |
| | | TELE | 68 × 51 |
| | 1/2" | WIDE | 1089 × 817 |
| | | TELE | 50 × 37 |
| | 1/3" | WIDE | 817 × 613 |
| | | TELE | 37 × 28 |
| Back Focal Distance (in air) (mm) | | 66.93 | |
| Exit Pupil Position (From Image Plane) (mm) | | -127 | |
| Filter Thread (mm) | | M82 × 0.75 | |
| Mount | | C | |
| Mass (kg) | | 2.3 | |
| Standard Accessories | | Conversion Cable (6-pin→4-pin) Connection Connector (4-pin, 6-pin) | |
| Remarks | | •With Metal Mount | |

Wiring



Accessories

Extender

| Product Name | Magnification |
|--------------|---------------|
| HE15-1 | 1.5x |
| HE20-1 | 2x |