

# Zoom (374mm)

### C22x17R2D-V41

**22x** Applicable camera (model) **1 2/3 1/2 1/3 1/4** **For Surveillance**

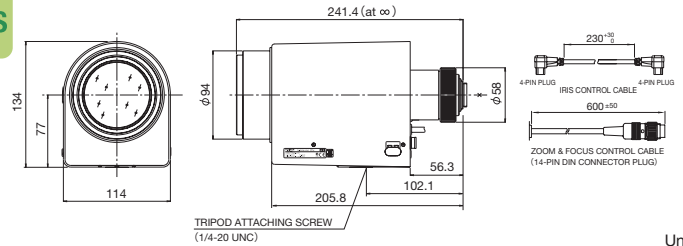


\* Photograph is a similar model.

**Day  
Night**

Zoom Motor Drive Telephoto Long Focal Wide Angle Video Auto Iris Iris-Remote C Mount Metal Mount Potentiometer ND Filter  
**ZOOM** **MOTOR DRIVE** **TELE** **WIDE** **VIDEO** **IRIS-REMOTE** **C-mt** **METAL** **PRESET** **N D**

RoHS Compliant  
**RoHS**

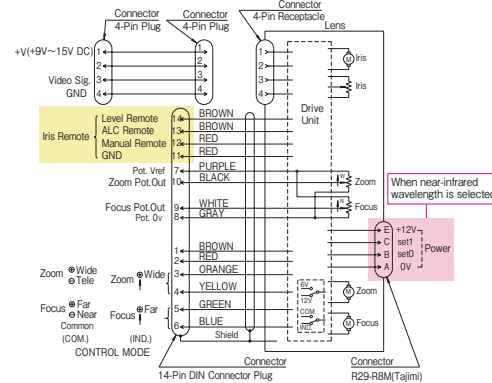


Unit : mm

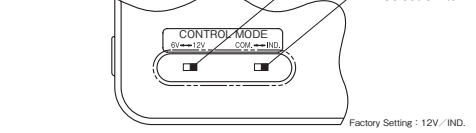
### C22x17R2D-V41

Focal Length (mm)		17 - 374(22x)	
Iris Range		F2.3 - T3000(Equivalent to F3000)	
Operation	Zoom	Motor Drive	
	Focus	Motor Drive	
Iris		Auto(Video Type)or Remote*1	
Angle Of View (HxV)	1"	WIDE	41°16' × 31°32'
		TELE	1°58' × 1°28'
	2/3"	WIDE	29°01' × 21°58'
		TELE	1°21' × 1°01'
	1/2"	WIDE	21°19' × 16°04'
		TELE	0°59' × 0°44'
1/3"	WIDE	16°04' × 12°05'	
	TELE	0°44' × 0°33'	
Focusing Range (From Front Of The Lens) (m)		∞ - 3	
Object Dimensions at M.O.D. (HxV) (mm)	1"	WIDE	2178 × 1633
		TELE	99 × 74
	2/3"	WIDE	1497 × 1123
		TELE	68 × 51
1/2"	WIDE	1089 × 817	
	TELE	50 × 37	
1/3"	WIDE	817 × 613	
	TELE	37 × 28	
Back Focal Distance (in air) (mm)		67.38	
Exit Pupil Position (From Image Plane) (mm)		-127	
Filter Thread (mm)		M82 × 0.75	
Mount		C	
Mass (kg)		2.3	
Standard Accessories		Iris Control Cable Connection Connector(14-pin,8-pin)	
Remarks		*With Metal Mount (*1)For Iris remote function please refer to page (H-1)	

### Wiring



### Control Mode (Rear View)



Controller Output	Select Switch Position
6V	6V / IND.
±6V	6V / COM.
12V	12V / IND.
±12V	12V / COM.

### Accessories

#### Extender

Model	Magnification
HE15-1	1.5x
HE20-1	2x

### Near-infrared wavelength selected

