

Zoom (506mm)

C22x23R2D-V41

22x Applicable camera (model) 1 2/3 1/2 1/3 1/4 For Surveillance

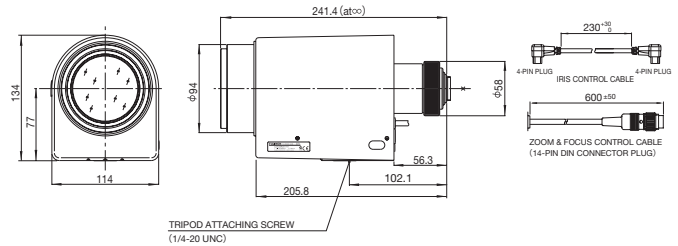
Day
Night



* Photograph is a similar model.

Zoom Motor Drive Telephoto Long Focal Video Auto Iris Iris-Remote C Mount Metal Mount Potentiometer ND Filter RoHS Compliant

ZOOM **MOTOR DRIVE** **TELE** **VIDEO** **IRIS-REMOTE** **C-mt** **METAL** **PRESET** **ND** **RoHS**

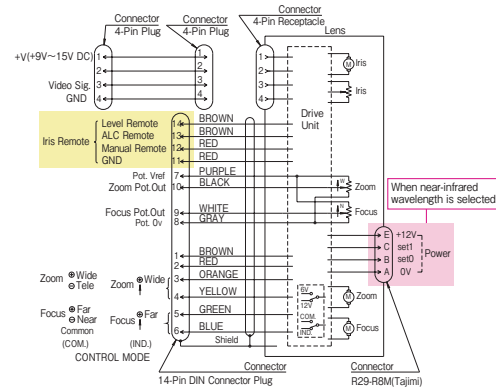


Unit : mm

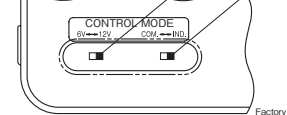
C22x23R2D-V41

Focal Length (mm)		23 - 506(22x)	
Iris Range		F3.1 - T3000(Equivalent to F3000)	
Operation	Zoom	Motor Drive	
	Focus	Motor Drive	
Iris		Auto(Video Type)or Remote*1	
Angle Of View (HxV)	1"	WIDE	31°06' × 23°35'
		TELE	1°27' × 1°05'
	2/3"	WIDE	21°40' × 16°20'
		TELE	1°00' × 0°45'
	1/2"	WIDE	15°50' × 11°55'
		TELE	0°43' × 0°33'
1/3"	WIDE	11°55' × 8°57'	
	TELE	0°32' × 0°24'	
Focusing Range (From Front Of The Lens) (m)		∞ - 3	
Object Dimensions at M.O.D. (HxV) (mm)	1"	WIDE	1611 × 1208
		TELE	73 × 55
	2/3"	WIDE	1108 × 831
		TELE	50 × 38
1/2"	WIDE	806 × 604	
	TELE	37 × 27	
1/3"	WIDE	604 × 453	
	TELE	27 × 21	
Back Focal Distance (in air) (mm)		39.54	
Exit Pupil Position (From Image Plane) (mm)		-64	
Filter Thread (mm)		M82 × 0.75	
Mount		C	
Mass (kg)		2.4	
Standard Accessories		Iris Control Cable Connection Connector(14-pin,8-pin)	
Remarks		•With Metal Mount	

Wiring



Control Mode (Rear View)



Controller Output	Select Switch Position
6V	6V / IND.
±6V	6V / COM.
12V	12V / IND.
±12V	12V / COM.

Accessories

Extender

Model	Magnification
HE15-1	1.5x
HE20-1	2x

Near-infrared wavelength selected

