

Zoom (96mm)

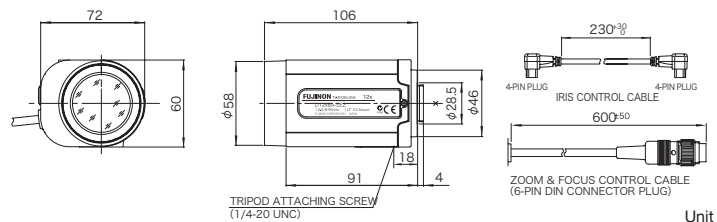
D12x8A-SE2

12x Applicable camera (model) 1 2/3 1/2 1/3 1/4 For Security



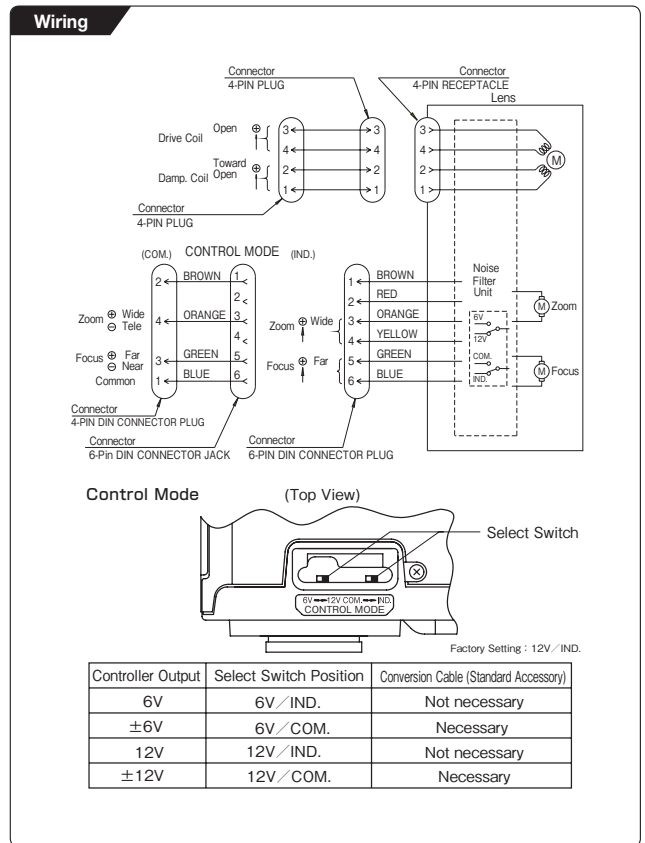
* Photograph is a similar model.

Applicable to
1/2



Unit : mm

D12x8A-SE2			
Focal Length (mm)		8 - 96(12x)	
Iris Range		F2.0 - T400(Equivalent to F400)	
Operation	Zoom	Motor Drive	
	Focus	Motor Drive	
	Iris	Auto(DC Type)*1	
Angle Of View (HxV)	1/2"	WIDE	43°36' × 33°24'
		TELE	3°49' × 2°52'
	1/3"	WIDE	33°24' × 25°22'
		TELE	2°52' × 2°09'
	1/4"	WIDE	25°22' × 19°09'
		TELE	2°09' × 1°37'
Focusing Range (From Front Of The Lens) (m)		∞ - 1.3	
Object Dimensions at M.O.D. (HxV) (mm)	1/2"	WIDE	1003 × 753
		TELE	84 × 63
	1/3"	WIDE	752 × 565
		TELE	63 × 47
	1/4"	WIDE	564 × 424
		TELE	47 × 35
Back Focal Distance (in air) (mm)		16.22	
Exit Pupil Position (From Image Plane) (mm)		-51	
Filter Thread (mm)		M55 × 0.75	
Mount		CS	
Mass (g)		330	
Coil Resistance		Drive Coil	180Ω
		Damping Coil	720Ω
Current Consumption		22mA(Max.) at DC 4V	
Standard Accessories		Iris Control Cable Conversion Cable (6-pin→4-pin) Connection Connector (4-pin, 6-pin)	
Remarks		•With Metal Mount (*1) When power is turned off, iris will automatically close.	



Accessories

Close-up Lens

Product Name		CL3355 (M55x0.75mm fc=333mm)	CL10055 (M55x0.75mm fc=1000mm)
Imaging Area(mm)		333 - 250	1000 - 500
Object Dimensions (mm)	1/2"	WIDE	204 × 153
		TELE	17 × 13
	1/3"	WIDE	153 × 115
		TELE	13 × 10
	1/4"	WIDE	115 × 86
		TELE	10 × 7