

# Zoom (200mm)

### D22x9.1B-S41

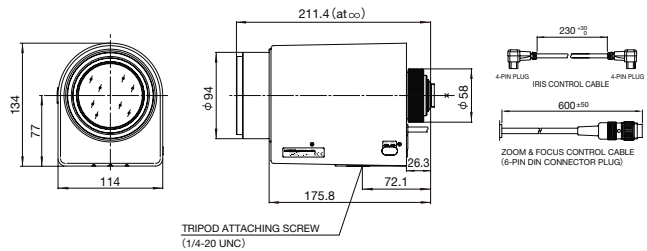
22x Applicable camera (model) 1 2/3 1/2 1/3 1/4 For Surveillance

Zoom Motor Drive Telephoto Long Focal Wide Angle Video Auto Iris C Mount Metal Mount ND Filter Large Aperture Ratio RoHS Compliant

**ZOOM** **MOTOR DRIVE** **TELE** **WIDE** **VIDEO** **C-mt** **METAL** **ND** **F1.2** **RoHS**



\* Photograph is a similar model.

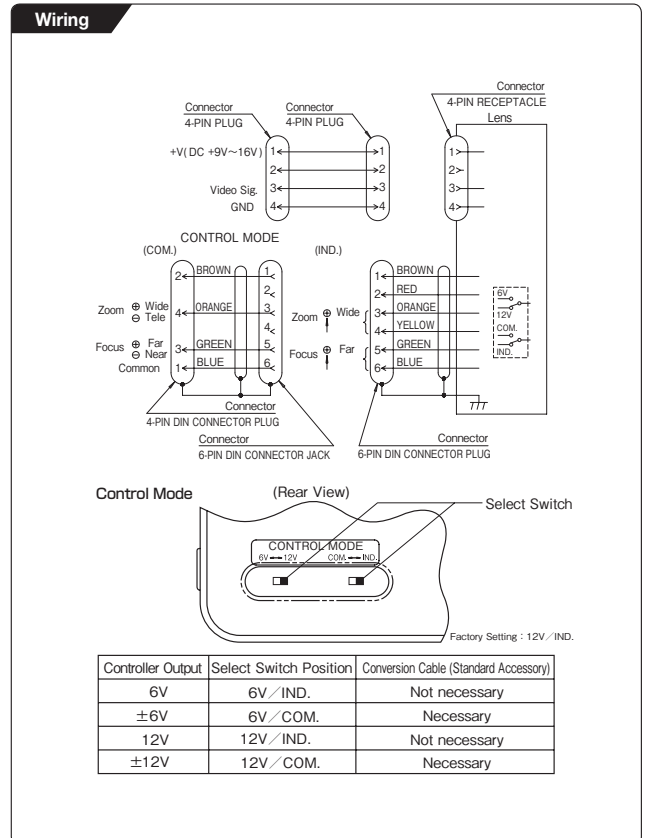


Unit : mm

### D22x9.1B-S41

Focal Length (mm)		9.1 - 200(22x)	
Iris Range		F1.2 - T1500(Equivalent to F1500)	
Operation	Zoom	Motor Drive	
	Focus	Motor Drive	
	Iris	Auto(Video Type)	
Angle Of View (HxV)	1/2"	WIDE	38°45' × 29°33'
		TELE	1°50' × 1°23'
	1/3"	WIDE	29°33' × 22°23'
		TELE	1°23' × 1°02'
	1/4"	WIDE	22°23' × 16°53'
		TELE	1°02' × 0°46'
Focusing Range (From Front Of The Lens) (m)		∞ - 3	
Object Dimensions at M.O.D. (HxV) (mm)	1/2"	WIDE	2034 × 1526
		TELE	93 × 69
	1/3"	WIDE	1526 × 1144
		TELE	69 × 52
	1/4"	WIDE	1144 × 858
		TELE	52 × 39
Back Focal Distance (in air) (mm)		23.93	
Exit Pupil Position (From Image Plane) (mm)		-676	
Filter Thread (mm)		M82 × 0.75	
Mount		C	
Mass (kg)		2.3	
Standard Accessories		Iris Control Cable Conversion Cable (6-pin→4-pin) Connection Connector (4-pin, 6-pin)	
Remarks		•With Metal Mount	

### Wiring



### Accessories

#### Extender

Product Name	Magnification
HE15-1	1.5x
HE20-1	2x