

Zoom (253mm)

H22x11.5B-S41

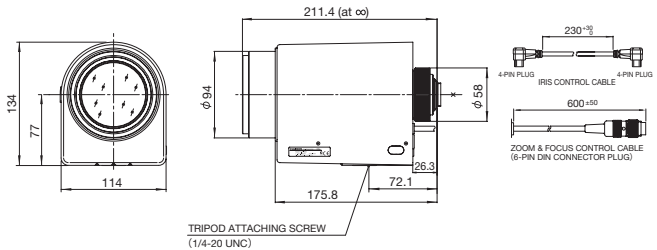
22x Applicable camera (model) 1 2/3 1/2 1/3 1/4 For Surveillance

Zoom Motor Drive Telephoto Long Focal Wide Angle Video Auto Iris C Mount Metal Mount ND Filter Large Aperture Ratio RoHS Compliant

ZOOM **MOTOR DRIVE** **TELE** **WIDE** **VIDEO** **C-mt** **METAL** **ND** **F1.6** **RoHS**



* Photograph is a similar model.

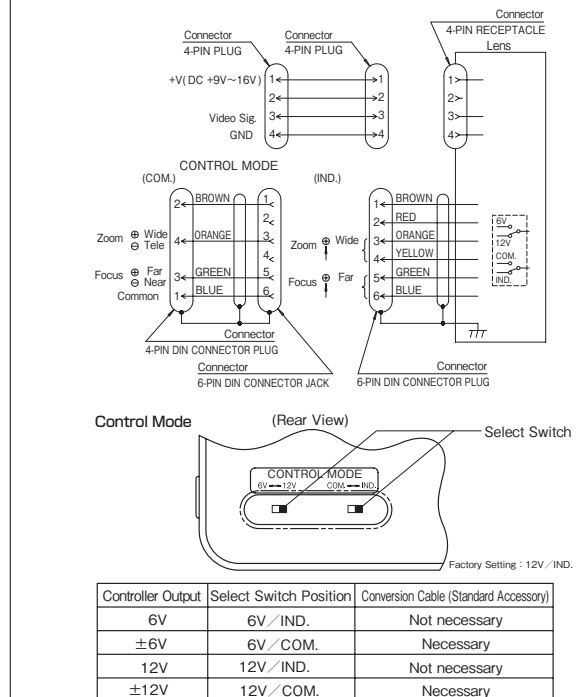


Unit : mm

H22x11.5B-S41

Focal Length (mm)		11.5 - 253(22x)	
Iris Range		F1.6 - T2000(Equivalent to F2000)	
Operation	Zoom	Motor Drive	
	Focus	Motor Drive	
	Iris	Auto(Video Type)	
Angle Of View (H×V)	2/3"	WIDE	41°52' × 32°01'
		TELE	2°00' × 1°30'
	1/2"	WIDE	31°06' × 23°34'
		TELE	1°27' × 1°05'
	1/3"	WIDE	23°34' × 17°47'
		TELE	1°05' × 0°49'
Focusing Range (From Front Of The Lens) (m)		∞ - 3	
Object Dimensions at M.O.D. (H×V) (mm)	2/3"	WIDE	2213 × 1660
		TELE	101 × 75
	1/2"	WIDE	1609 × 1207
		TELE	73 × 55
	1/3"	WIDE	1207 × 905
		TELE	55 × 41
Back Focal Distance (in air) (mm)		36.16	
Exit Pupil Position (From Image Plane) (mm)		-103	
Filter Thread (mm)		M82 × 0.75	
Mount		C	
Mass (kg)		2.3	
Standard Accessories		Iris Control Cable Conversion Cable (6-pin→4-pin) Connection Connector (4-pin, 6-pin)	
Remarks		•With Metal Mount	

Wiring



Accessories

Extender

Model	Magnification
HE15-1	1.5x
HE20-1	2x