

 **FUJIFILM**

I&I-Imaging & Information

**HDCAM**<sup>TM</sup>

DIGITAL HD  
VIDEOCASSETTE

# HD331



# Packed with the advanced technology that HD broadcasting demands

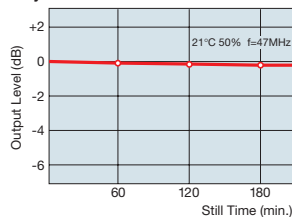
## Newly Developed Magnetic Particles and Proprietary Super Calendering Technology for High C/N and a Low Error Rate

Newly developed ultrafine high-output metal magnetic particles are densely and evenly packed to achieve both high output and low noise. As a result, high C/N characteristics are offered at all wavelengths. In addition, our proprietary Super Calendering technology gives the magnetic layer a super-smooth surface that ensures stable head contact for a high C/N ratio and low error rate even for the short-wavelength digital recording demanded by HDCAM systems.

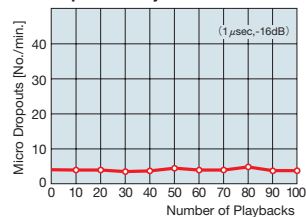
## Stable Tape Transport and High Durability Even Under the Extreme Demands of ENG/EFP

A newly developed binder with strong adhesion characteristics and an optimized lubricant help keep heads clean, preventing dropouts and the error rate from increasing. Even during the repeated still and high-speed shuttle operations of editing, or under the extreme demands of ENG/EFP fieldwork, stable tape transport and high reliability are assured.

### Changes in Output Level after Still Playbacks



### Changes in Micro Dropouts Levels after Repeated Playbacks



## New Reel Offers Superior Winding Characteristics

New reel design assures that air is evenly expelled from the reel during high-speed shuttle operation to prevent air from being 'wound in' to the tape. As a result, tape is more evenly wound onto the reel, and protection against damage caused by dropping or impact is significantly improved.

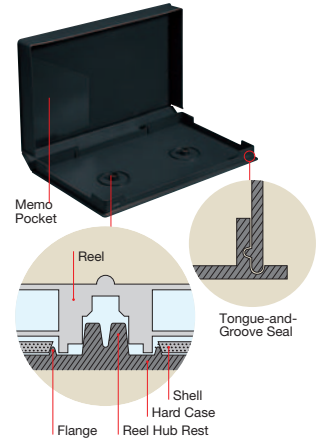


## Superior Storage Characteristics Keep Image Archives Safe During Long-Term Storage

An extremely thin and uniform layer of special anti-oxidant material is applied to the surface of each metal magnetic particle. This prevents magnetic performance from deteriorating during long-term storage and ensures that the C/N ratio remains high. In addition, proprietary Fujifilm technologies are used to keep tape shrinkage to an absolute minimum during archival storage. As a result, mistracking caused by track pattern dimension change is prevented, and consistently superior playback performance is ensured even after long-term storage.

## Highly Dust-Resistant Cassettes and Hard Cases

Cassette lids are constructed of anti-static resin to keep dust and dirt out and ensure that the dropout count and error rate do not rise. Hard cases feature dustproof construction that keeps the tape clean during storage. In addition, individual supports on the inside of the case secure the reels and cassette shell to provide added protection against impact and vibration.



## Distinctive Coloring Eliminates Confusion with Betacam Cassettes

Distinctive two-tone color scheme with an olive-colored shell and orange lid allows cassettes to be instantly distinguished from Betacam SP, Digital Betacam, Betacam SX and MPEG IMX videocassettes. The same color scheme is used for the hard cases to help prevent cassettes from accidentally being stored in the wrong cases.



### FUJIFILM HD331 Digital HD Videocassette Technical Data

Magnetic Properties	
Coercivity (Hc)	131 kA/m
Retentivity (Br)	300 mT
Physical Properties	
Tape Width	12.65 mm
Tape Thickness (Total)	14 μm
Magnetic Layer	3 μm
Yield Strength	40 N
Residual Elongation	0.04 %

Video Performance	
RF Output	0 dB*
Video C/N	0 dB*
Audio Performance	
Sensitivity	0 dB*
Frequency Response	0 dB*
Audio S/N	0 dB*

Note: The figures marked with \* are comparisons with FUJIFILM reference tape. Specifications are subject to change without notice.

### FUJIFILM HD331 Digital HD Videocassette Line-up

Cassette	Size	Tape Length	Recording Time	Dimensions		Weight (With case)
				Cassette Shell	Case	
S	6 S	43 3/8 m (141 ft.)	6 min.	156 X 96 X 25 mm	172 X 112 X 31 mm	250 g (0.55 lbs.)
	12 S	78 3/8 m (256 ft.)	12 min.			260 g (0.57 lbs.)
	22 S	136 3/8 m (446 ft.)	22 min.			280 g (0.62 lbs.)
	32 S	195 3/8 m (640 ft.)	32 min.			290 g (0.64 lbs.)
	40 S	241 3/8 m (791 ft.)	40 min.			305 g (0.67 lbs.)
L	34 L	206 3/8 m (676 ft.)	34 min.	254 X 145 X 25 mm	272 X 162 X 33 mm	640 g (1.41 lbs.)
	64 L	382 3/8 m (1,253 ft.)	64 min.			690 g (1.52 lbs.)
	94 L	557 3/8 m (1,828 ft.)	94 min.			740 g (1.63 lbs.)
	124 L	732 3/8 m (2,402 ft.)	124 min.			790 g (1.74 lbs.)



## FUJI PHOTO FILM CO., LTD.

26-30, NISHIAZABU 2-CHOME, MINATO-KU, TOKYO 106-8620, JAPAN

Fuji Photo Film U.S.A., Inc. Magnetic Markets Division 200 Summit Lake Drive, 2nd Floor Valhalla, New York 10595, U.S.A.

Fuji Photo Film Canada Inc. 600 Suffolk Court Mississauga, Ontario, L5R 4G4, Canada

Fuji Photo Film do Brasil Ltda. Avenida Vereador Jose Diniz 3400, Campo Belo, Sao Paulo, CEP 04604-901, SP, Brasil

Fuji Magnetics G.m.b.H. Fuji Strasse 1, D-47533 Kleve, Germany

Fuji Photo Film (UK) Ltd. Fuji Film House, 125 Finchley Road, Swiss Cottage, London NW3 6HY, U.K.

FUJIFILM Regional Services (Singapore) Pte Ltd. 10 New Industrial Road Singapore 536201